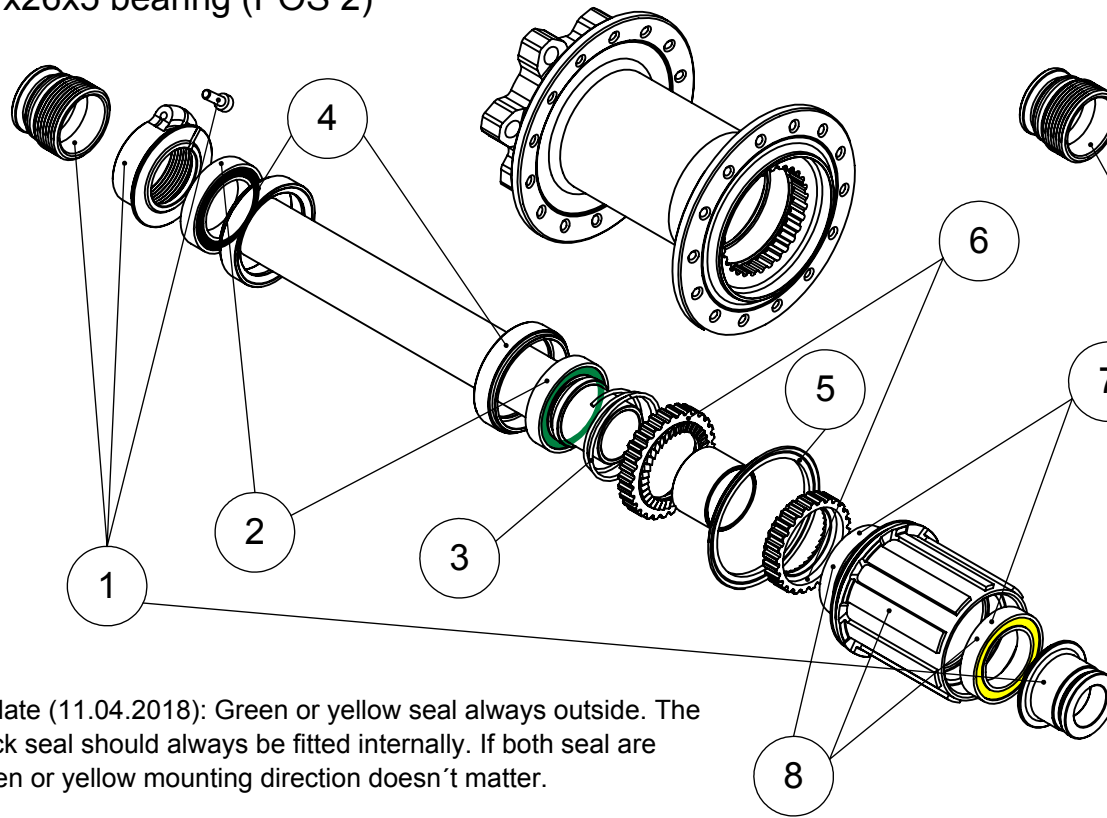
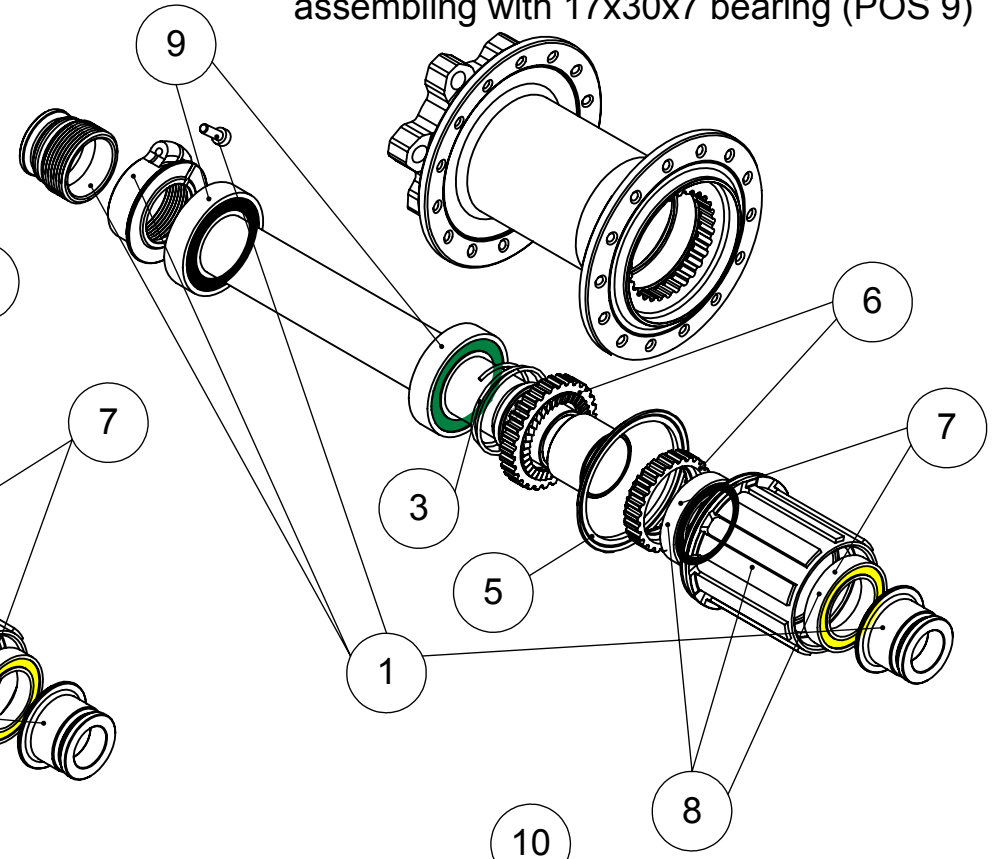


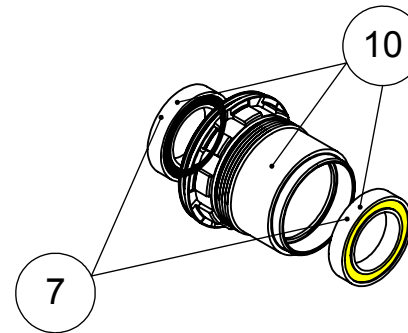
assembling with bearing reducer (POS 4) +
17x26x5 bearing (POS 2)



assembling with 17x30x7 bearing (POS 9)



Update (11.04.2018): Green or yellow seal always outside. The black seal should always be fitted internally. If both seal are green or yellow mounting direction doesn't matter.



XD Driver Set
compatible whit all
MTB hubs
12x142
12x148

POS	ITEM Nr.	Description
1	90001	NEWMEN MTB Endcap Set 12 mm
2	90178	NEWMEN Bearing BB CB 17x26x5 C3 LLH
3	90066	NEWMEN Hub Part CCS di1 20 de2 26,2 nt 2,5
4	90069	NEWMEN Hub Part Bearing reducer 30 to 26
5	90316	NEWMEN Seal NBR 34,5
6	90006	NEWMEN Ratchet Set 36T incl. Spring
7	90178	NEWMEN Bearing BB CB 17x26x5 C3 LLH
8	90009	NEWMEN Freewheel MTB Shimano incl. bearing
9	90018	NEWMEN Bearing BB CB 17x30x7 C3 LLH
10	90008	NEWMEN Freewheel MTB Sram XD incl. bearing

NEWMEN

MG-Components GmbH & Co. KG
Am Mühlbach 5c
87487 Wiggensbach
Germany

Ersatzteile / Spare Parts :
NEWMEN MTB Rear 12x142 J-Bend 6 Bolt 28h / 32 h
NEWMEN MTB Rear 12x148 J-Bend 6 Bolt 28h / 32 h

Datum / Date :31.01.2017